

Panorama IP Camera 360-View Specifications

■ Camera

Image Sensor	1/2.9" Progressive SONY CMOS	Infrared LED	42 μ x 3PCS
Effective Pixels	3096(H) x 2202(V) Pixels	Infrared Distance	20m
Monitor Output (Analog)	NTSC or PAL Selectable		

■ Lens

Focal Length	1.05mm	Horizontal Angle of View	360 degree
Pixels	5MP		

■ Functions

Camera Set Up	Web Browser by Windows (Internet Explorer)	Camera ID	<input type="radio"/>
Preset Position ID	<input type="radio"/>	ND Filter	ON / OFF
IR Cut Filter	ON / OFF / Auto / Trigger	Digital Noise Reduction (DNR)	ON / OFF
Privacy Mask	ON / OFF (No. of Mask : 3)	Motion Detection	ON / OFF

■ Image Adjustment

S/N Ratio	Max 52dB	Electronic Shutter (AES)	Auto (1/15 ~ 1/100000)
Scanning System	Progressive	BLC(Back Light Compensation)	ON / OFF
AE Level Adjustments	-5 ~ +5	Color Level	<input type="radio"/>
WDR	<input type="radio"/>	Brightness Level	<input type="radio"/>
Contrast Level	<input type="radio"/>	Hue Level	<input type="radio"/>
Saturation Level	<input type="radio"/>	Flickerless	<input type="radio"/>
White Balance	AWB		

■ Image Processing

Distortion Compensation	<input type="radio"/>	Distortion Compensation Angle	(Selectable)
Electronic Pan/Tilt	<input type="radio"/>	Electronic Zoom	x 8
Direction of Camera Installation	Wall / Ceiling / Desk-Top	Preset Sequence	1 Sequence : 4 Areas
Image split	1 / 2 / 3 / 4	Upside / Down Rotation	<input type="radio"/>
Recording Mode	NVR/NAS/VMS/Web		

■ Server

Network Protocol	IPv4/v6, TCP, ARP, ICMP, HTTP, FTP, IGMP(Ver2), RTCP, RTP, UDP, RTSP, SMTP, NTP	Compression Type	Original Image: Motion JPEG / MPEG-4 Compensation Image : H.264/H.265/JPEG/AVI/MJPEG
Output Image Resolution	2048x2048: 15fps	Frame Rate	Max 20fps
Pre / Post Alarm Recording	Original Image Pre : 10 sec, Post : 120 sec	Audio Compression	G.711 (64kbps)

■ Interface

Network	RJ-45, IEEE802.3, POE / W-Fi(IEEE802.11b/g/n)	SD Card	Max. 64GB
Audio Output	Line Out (Monoline Audio Jack)	ONVIF	ONVIF 2.4

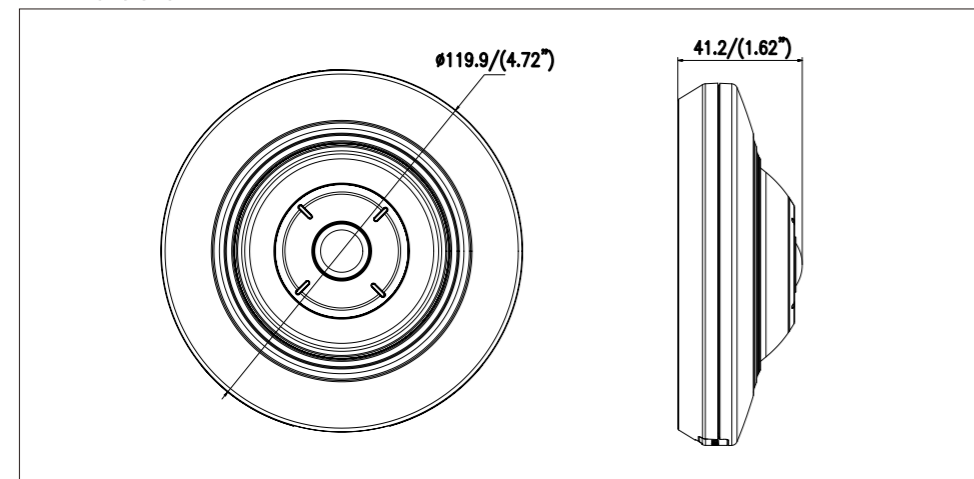
■ General

Power	12V DC \pm 10% P.o.E. (Complied with IEEE 802.3af) ; 4.5W	Dimension	Diameter 120mm x 41 (D)
Weight	Approx. 470g	Operating Temperature	-10°C ~ +50°C (Recommendation : 0°C ~ 40°C)
Operation Humidity	30% ~ 80% RH (No Condensation)	Housing	Body: Metal; Bracket: Plastic

■ Minimum Web Browsing Requirement

OS	Windows XP Professional SP3	Web Browser	Microsoft Internet Explorer ver 6, 8, 9 (32bit)
	Windows Vista Business	CPU	more than Intel Core2 Duo 2GHz
	Windows 7 Professional 32bit	RAM	more than 2GB
		HDD	more than 100GB

■ Dimensions

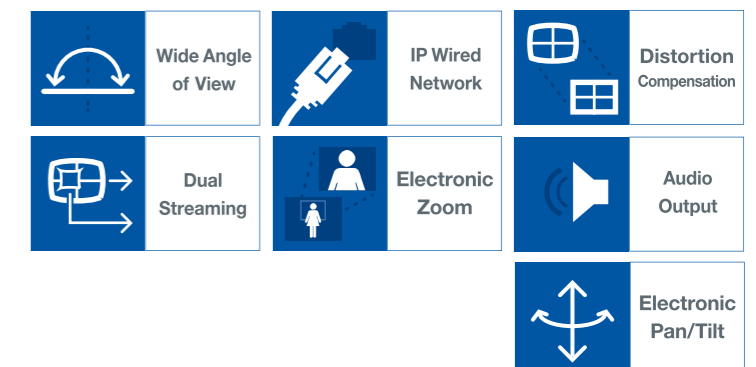


⚠ Caution : Please read the instruction manual carefully before using the camera.

Panorama IP camera with fish-eye lens

PANORAMA CAMERA 360-View

Model: LMDES600 / Network Camera



A new type of security camera



Stylish IP Security Camera Equipped with a High-Performance Fish-Eye Lens!

The Panorama IP Camera 360-View is a new type of omni-directional network camera equipped with fisheye lens that provides a 360° horizontal field of view, enabling the capture of images that are almost free of any blind spots. The proprietary image processing technology corrects for any residual distortion in the captured image and generates a more natural-looking image. The camera is also equipped with smart functions like electronic PTZ, presetting function and motion detection, to better serve the needs of users. The camera is intelligently constructed with lens and sensor that are controlled by software, without the need for any mechanically moving parts to make the camera highly durable and reliable and therefore suitable for various applications.

H.265 compression technology

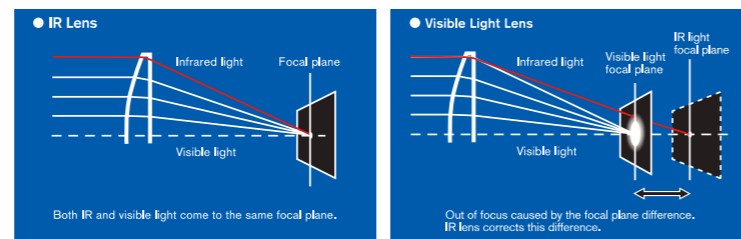
The h.265 offers significant bandwidth and video storage savings over older compression technologies extending the amount of video stored on the hard drive.

It combines the original technologies with advanced techniques to significantly improve the bit-stream, build a better connection between time delay and algorithm complexity and enhance the coding quality.



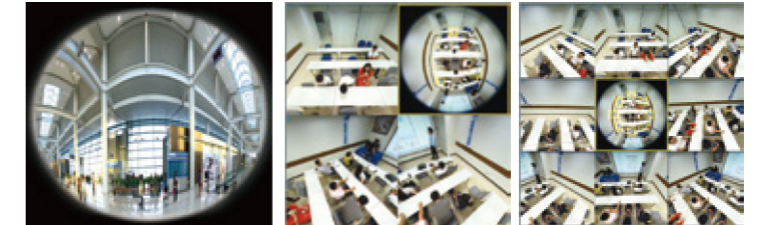
Camera with Day/Night feature

A mechanical IR cut-filter is incorporated to achieve true day/night surveillance. With this feature, 24/7 surveillance can be realized by switching to color for daytime and to B/W at nighttime. In addition, the fast aperture helps to pursue clear picture quality even under low light conditions.



Panorama image / On desk mode/ Area selection

Equipped with various display modes to support the requirements for diverse situational surveillance scenes. Specified areas can be displayed simultaneously with the original image.



Equipped with electronic PTZ, presetting function & motion detection

There are no mechanically moving parts to drive and control the lens structure. The Pan focus and electronic PTZ function will instantly focus and pick the scene you need. Pan/tilt/zoom can be controlled manually by picking the desired area.



Viewing mode setup screen



Codec setup screen

Objects that move can be detected automatically and the camera will follow the subject within the captured area. The motion detection function detects brightness changes and outputs the cropped image. In addition, sending images to a registered e-mail address and transferring to an FTP server are possible.

Two way audio function

Audio functions are gaining notice from the surveillance market. This network camera comes with monaural microphone and an audio output. The voice system provides efficiency to the surveillance system by functioning as a PA system. A built-in speaker with an amplifier can be used to warn the intruder.



- Motion detection and tracking
- Image transmission to FTP server



Audio output